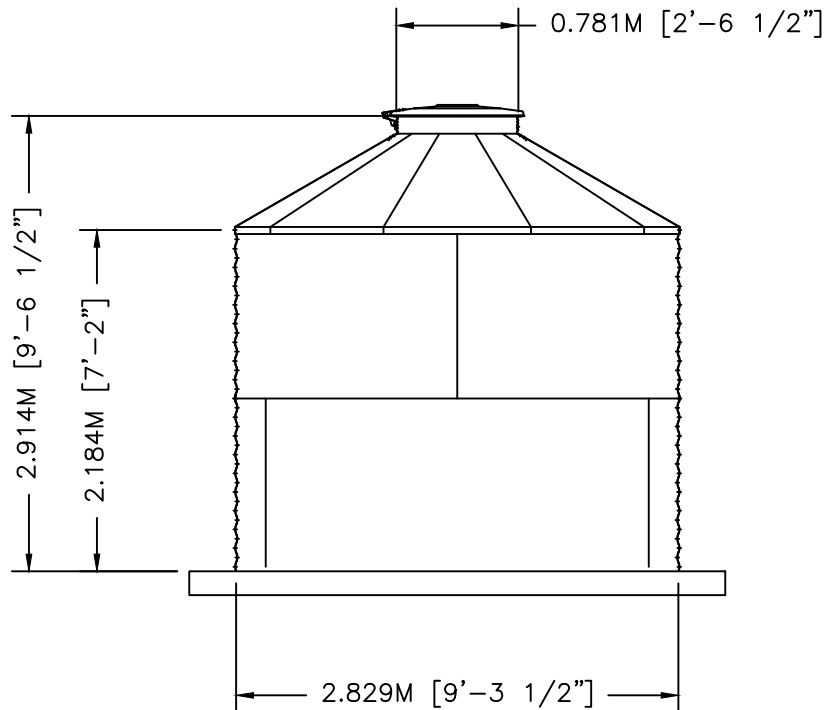


PLAN



ELEVATION

**STEEL CORE TANK, LLC.**  
**WWW.STEELCORETANK.COM**  
**(844) 225-0881**

	BY	DATE
DWN	XXX	XX/XX/XX
CKD		
ENG		

TITLE	STEELCORE WATER TANK SCT-902-FP WTU03-02 30"PR 30DEG FLAT PANEL NOMINAL CAPACITY - 12.931 M3 [3,416 GAL]	
DWG. NO.	SCT902-FP WTU03-02	REV. NO.

THIS DRAWINGS DEPICTED ON THIS PRINT AND INFORMATION CONTAINED HEREIN ARE PROPRIETARY TO STEEL CORE TANK, LLC. AND SHALL NOT BE USED IN WHOLE OR PART WITHOUT WRITTEN CONSENT OF STEEL CORE TANK, LLC. 2015

SIZE:	SCALE:	SHEET	OF
A	1/4"=1'-0"	1	1