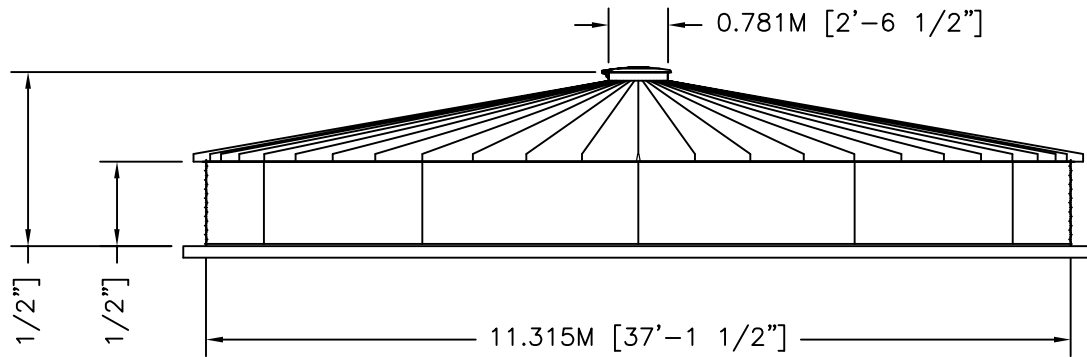


PLAN



ELEVATION

STEEL CORE TANK, LLC.
WWW.STEELCORETANK.COM
 (844) 225-0881

| | BY | DATE |
|-----|-----|----------|
| DWN | XXX | XX/XX/XX |
| CKD | | |
| ENG | | |

TITLE STEELCORE WATER TANK SCT-3701-LJR
 WTU12-01 30"PR 10DEG J-RIB
 NOMINAL CAPACITY - 75.114 M3 [19,843 GAL]

| | | | |
|----------|----------------------|----------|----|
| DWG. NO. | SCT3701-LJR WTU12-01 | REV. NO. | |
| SIZE: | SCALE: | SHEET | OF |
| A | 1/8"=1'-0" | 1 | 1 |

THIS DRAWINGS DEPICTED ON THIS PRINT AND INFORMATION CONTAINED HEREIN ARE PROPRIETARY TO STEEL CORE TANK, LLC. AND SHALL NOT BE USED IN WHOLE OR PART WITHOUT WRITTEN CONSENT OF STEEL CORE TANK, LLC. 2015