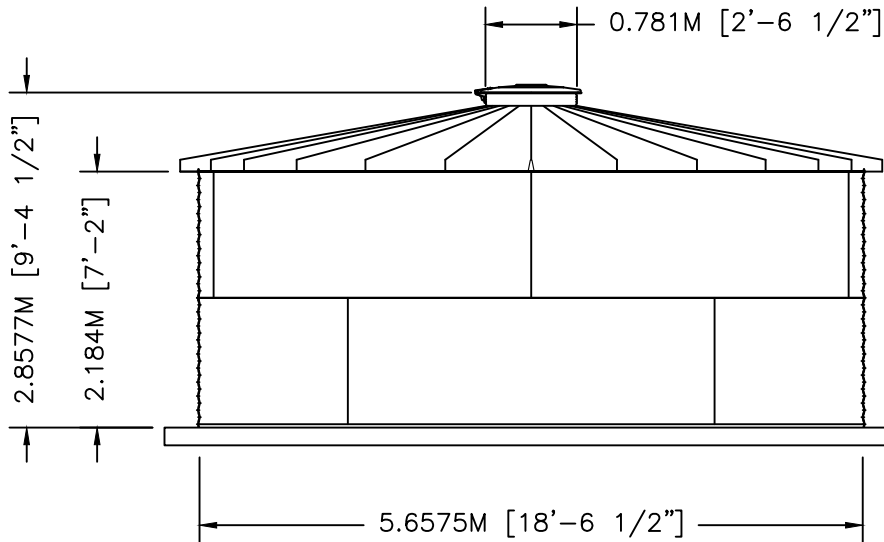


PLAN



ELEVATION

STEEL CORE TANK, LLC.
WWW.STEELCORETANK.COM
 (844) 225-0881

| | BY | DATE |
|-----|-----|----------|
| DWN | XXX | XX/XX/XX |
| CKD | | |
| ENG | | |

| | |
|--|----------|
| TITLE STEELCORE WATER TANK SCT-1802-LVR WTU06-02 30"PR 10DEG V-RIB NOMINAL CAPACITY - 51.720 M3 [13,663 GAL] | |
| DWG. NO. SCT1802-LVR WTU06-02 | REV. NO. |

THIS DRAWINGS DEPICTED ON THIS PRINT AND INFORMATION CONTAINED HEREIN ARE PROPRIETARY TO STEEL CORE TANK, LLC. AND SHALL NOT BE USED IN WHOLE OR PART WITHOUT WRITTEN CONSENT OF STEEL CORE TANK, LLC. 2015

| | | |
|---------|--------------------|--------------|
| SIZE: A | SCALE: 3/16"=1'-0" | SHEET 1 OF 1 |
|---------|--------------------|--------------|