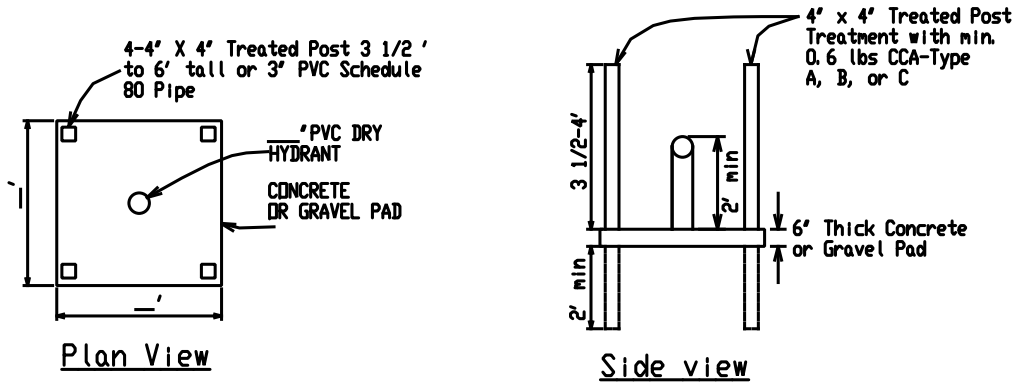
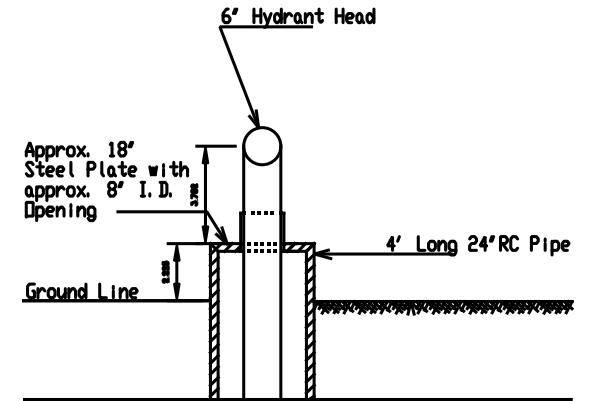


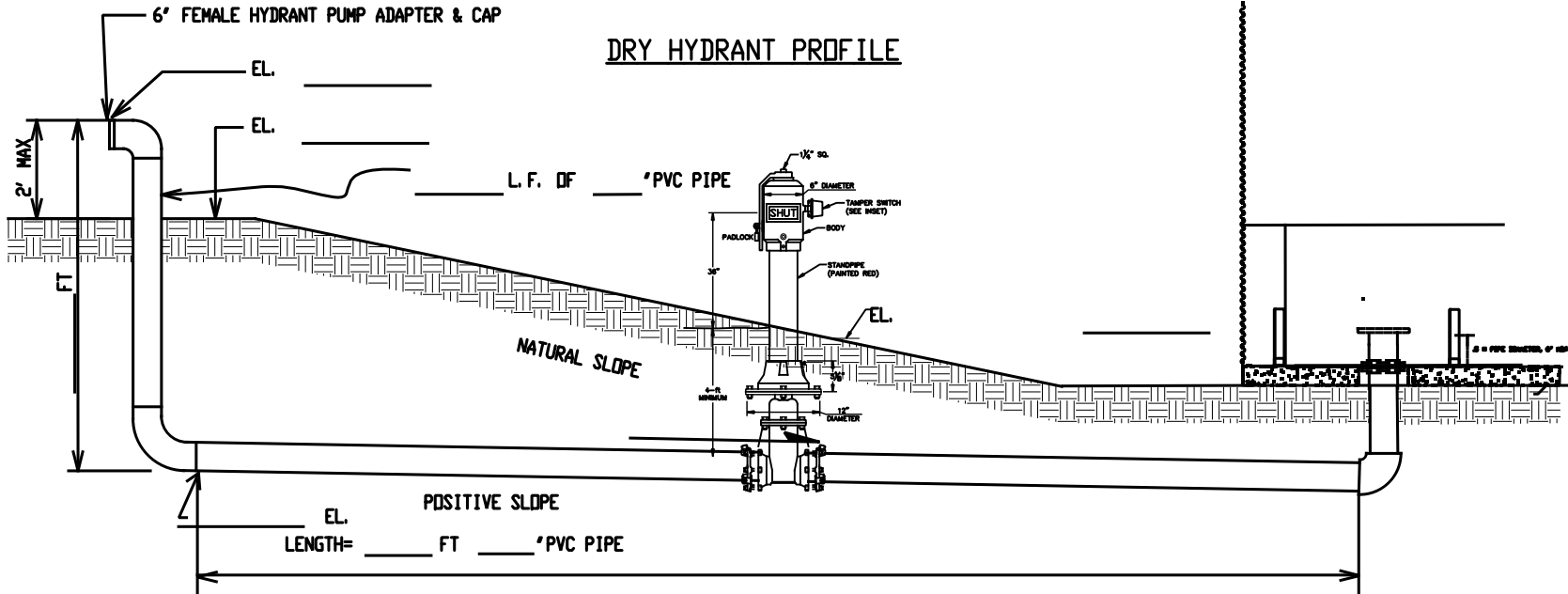
PROTECTIVE BASE PAD DETAILS



CROSS SECTION DETAIL



DRY HYDRANT PROFILE



ISS.	REV.	COMMENTS	DATE

Tel.: (404) 891-0404

GEORGIA WATER TANKS

Drawings are instruments of service and remain the property of Georgia Water Tanks until sold. Copyright of the drawings and the text contained thereon are reserved. Drawings are not for construction until signed by the author.

**FIRE PROTECTION
DRY HYDRANT
DETAIL**

RAINWATER HARVESTING PROJECT AT
**CAMP TWIN LAKES
CAMP WILL-A-WAY
WINDER, GA**

SCALE:	NONE
FILE:	FILE
PLOT DATE:	7/17/15
PROJECT NO.:	15047
DRAWN BY:	RDH

02