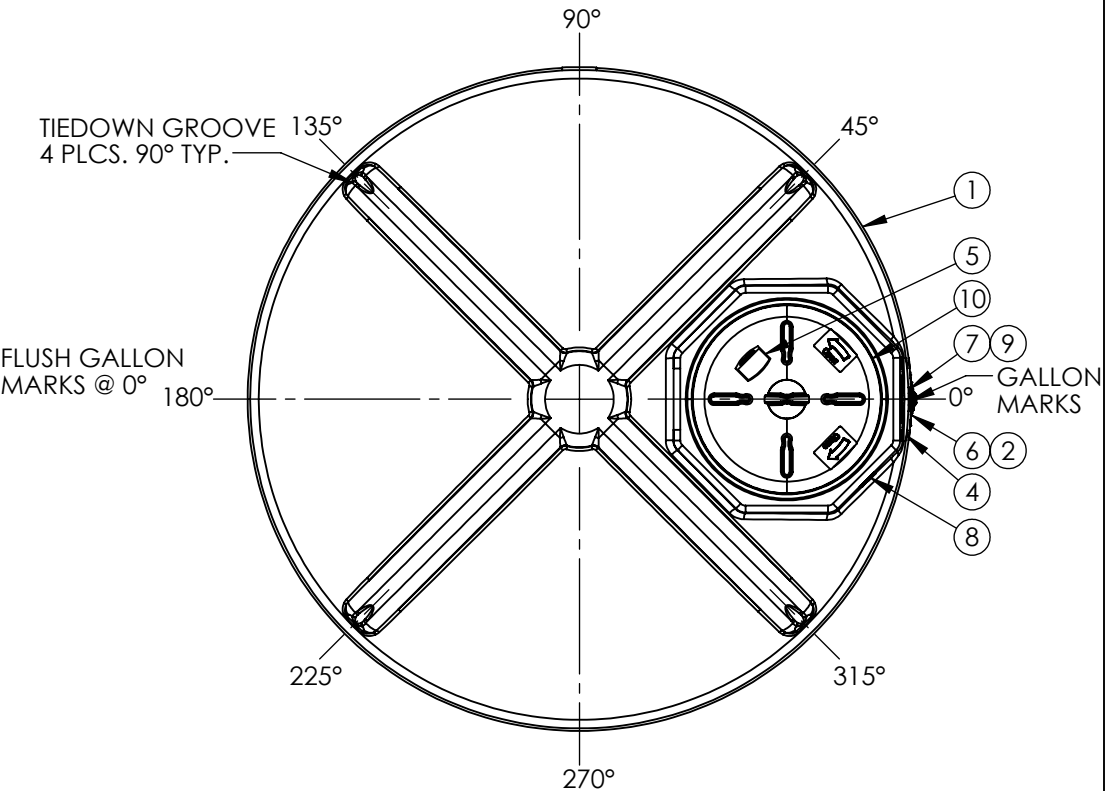
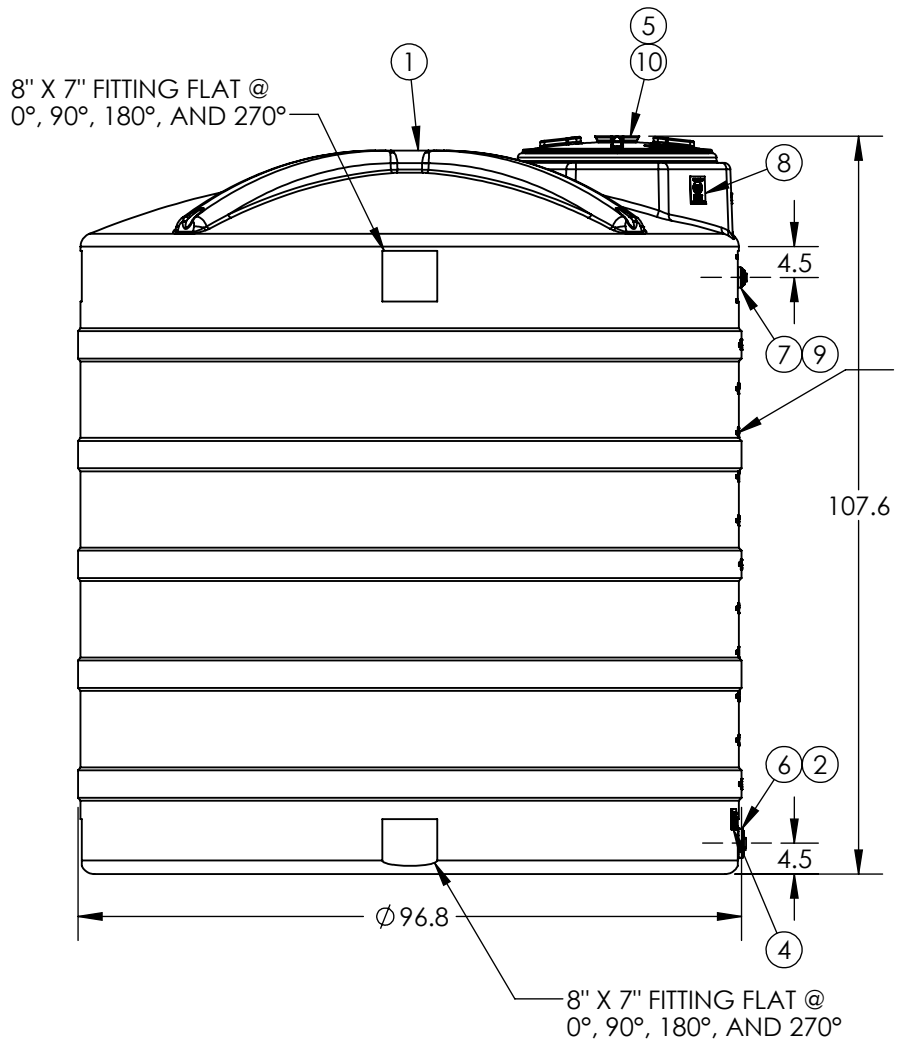


PART NUMBER	TANK COLOR
32567	BLACK
32569	GREEN
32577	SAND



*GALLON MARKS CAN BE REMOVED FOR FITTING PLACEMENT AS NECESSARY.

10	1	64443	MANWAY 26IN W/VENT R
9	1	64149	1-1/2" NPT PLUG
8	1	99700231	DECAL NSF MARK - WATER TKS
7	1	63931	FTG PP 1-1/2IN ECO-BH EPDM TXT
6	1	63683	FTG 2IN HD BH PP/EPDM
5	1	61848	DECAL AG WARNING - LARGE
4	1	61847	DECAL AG WARNING - SMALL
3	8	60081	SCREW #9 X 1" SS 5"-22" LID
2	1	60021	2" NPT PLUG
1	1	30347-FW	3000V X 96 RP FW

*ALL EXTERNAL PIPING MUST BE INDEPENDENTLY SUPPORTED.
 *ONLY BASE FITTINGS TO BE LEFT INSTALLED AT TIME OF SHIPMENT PER SII PROCEDURE.
 ALL DIMENSIONS ARE IN INCHES, NOMINAL, & SUBJECT TO CHANGE WITHOUT NOTICE.
 ALL DIMENSIONS ON ROTATIONAL MOLDED PARTS ARE SUBJECT TO A ± 3% TOLERANCE.

ITEM NO.	PART NUMBER	DESCRIPTION
DO NOT SCALE		DRAWN BY
Released		IGG
© SNYDER INDUSTRIES, LLC, 2020		
TITLE:		REVISION
3000 X 96 V WATER R WF		A
PART NO.		SHEET
32567 32569 32577		1 OF 1
ENG. ID.		
A016673		

ALL DIMENSIONS, DESIGNS, AND INFORMATION ON THIS PRINT MUST BE CONSIDERED PROPRIETARY TO SNYDER INDUSTRIES, LLC, AND MAY NOT BE USED, COPIED, OR DISTRIBUTED WITHOUT WRITTEN PERMISSION OF AN OFFICER (OR HIS AGENT) OF THE FIRM.

(402) 467-5221
www.snydernet.com